

Assembling instruction

FLASH

Open the box and extract all items from inside. Place the cabinet upside down and fix the legs by screwing all the 8 bolts in the threaded holes. See picture 1. Keep in mind that the black bolt and the black plastic washer go outside the cabinet while the silver bolt with the steel washer go inside

When all the legs are fixed turn the cabinet and proceed assembling the rods :

*NB: Insert the handles on rods only **after** that rods and bearing are fixed in position*

Standard Rods (Solid):

Are secured by two sets of nylon bearings, comprising of two outer female halves, and two inner male halves. Fit the outer female halves from the outside of the table to the inner male halves using the 19mm cross-head screws provided.

Telescopic Rods.

Are secured by two sets of nylon bearings, The handle bearings are the same as the standard rods. The opposite end is secured by a single outer (female) part and a single inner (male) part that is attached to the inner rod end. The small rubber ring goes inside the closed bearing Note: When the telescopic rods are fitted correctly the outer must slide freely over the inner. If tightness is experienced, take inner rod out. Some few strokes with a piece of rolled glass paper trough the nylon bearing which is fitted in the end of outer rod will normally remedy the problem

Models with Ball bearings::

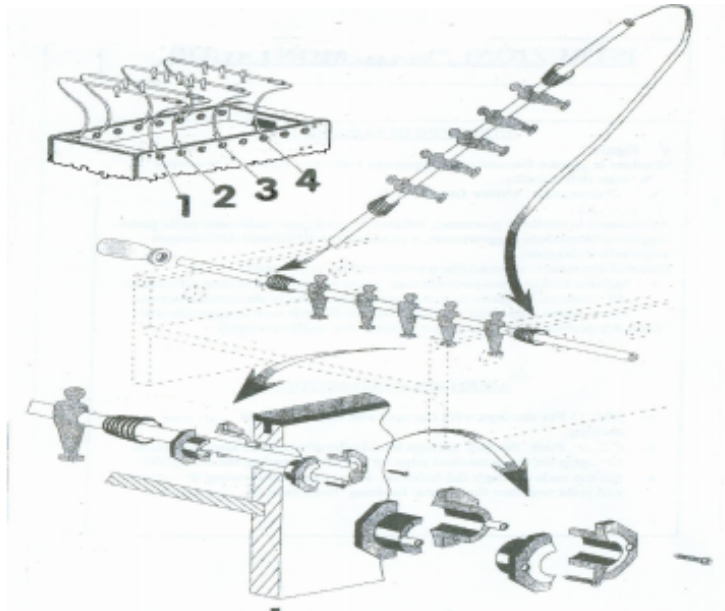
Solid: all bearings are in three pieces; put 1 big half, female, with bearings on the outside of table and the other half (in two male pieces) from the inside.

Telescopic: from the side of the handles 8 bearings are open (same as above), on the other side there is 1 half closed female bearing that goes in the outside and two male pieces for the inside. The small rubber ring goes inside the closed bearing



PICTURE 1

Assembling rods



Solid

Telescopic

